

Product data sheet

Specifications



TeSys Deca Manual Starter and Protector, thermal magnetic circuit protector, rotary handle, 20 to 25 A, screw clamp

GV2P22

Product availability: Stock - Normally stocked in distribution facility

Price*: 278.00 USD

Main

| | |
|---------------------------|-----------------------|
| Range | TeSys Deca |
| product name | TeSys GV2 |
| Product or Component Type | Motor circuit breaker |
| Device short name | GV2P |
| Device Application | Motor protection |
| Trip unit technology | Thermal-magnetic |

Complementary

| | |
|---|---|
| Poles description | 3P |
| network type | AC |
| Utilisation category | Category A IEC 60947-2 AC-3 IEC 60947-4-1 AC-3e IEC 60947-4-1 |
| Network frequency | 50/60 Hz IEC 60947-4-1 |
| Motor power kW | 11 kW 400/415 V AC 50/60 Hz 15 kW 500 V AC 50/60 Hz |
| Breaking capacity | 100 kA Icu 230/240 V AC 50/60 Hz IEC 60947-2 50 kA Icu 400/415 V AC 50/60 Hz IEC 60947-2 20 kA Icu 440 V AC 50/60 Hz IEC 60947-2 10 kA Icu 500 V AC 50/60 Hz IEC 60947-2 4 kA Icu 690 V AC 50/60 Hz IEC 60947-2 |
| [Ics] rated service short-circuit breaking capacity | 100 % 230/240 V AC 50/60 Hz IEC 60947-2 50 % 400/415 V AC 50/60 Hz IEC 60947-2 75 % 440 V AC 50/60 Hz IEC 60947-2 75 % 500 V AC 50/60 Hz IEC 60947-2 100 % 690 V AC 50/60 Hz IEC 60947-2 |
| Control Type | Rotary handle |
| Line Rated Current | 25 A |
| Thermal protection adjustment range | 20...25 A IEC 60947-4-1 |
| Magnetic tripping current | 388.3 A |
| [Ith] conventional free air thermal current | 25 A IEC 60947-4-1 |
| [Ue] rated operational voltage | 690 V AC 50/60 Hz IEC 60947-2 |
| [Ui] rated insulation voltage | 690 V AC 50/60 Hz IEC 60947-2 |
| [Uimp] rated impulse withstand voltage | 6 kV IEC 60947-2 |

Price is "List Price" and may be subject to a trade discount – check with your local distributor or retailer for actual price.

| | |
|----------------------------|---|
| Phase failure sensitivity | Yes IEC 60947-4-1 |
| Suitability for isolation | Yes IEC 60947-1 |
| Power dissipation per pole | 2.5 W |
| Mechanical durability | 100000 cycles |
| Electrical durability | 100000 cycles AC-3 415 V In 100000 cycles AC-3e 415 V In |
| Rated duty | Continuous IEC 60947-4-1 |
| Tightening torque | 15.05 lbf.in (1.7 N.m) screw clamp terminal |
| Fixing mode | 35 mm symmetrical DIN rail clipped Panel screwed with 2 x M4 screws) |
| Mounting position | Horizontal Vertical |
| Width | 1.8 in (45 mm) |
| Height | 3.5 in (89 mm) |
| Depth | 3.8 in (97 mm) |
| color | Dark grey |

Environment

| | |
|---------------------------------------|--|
| Standards | EN/IEC 60947-2 EN/IEC 60947-4-1 UL 60947-4-1 CSA C22.2 No 60947-4-1 IEC/EN 60335-2-40:Annex JJ IEC/EN 60335-1:Clause 30.2 |
| Product Certifications | CCC UL CSA EAC ATEX LROS (Lloyds register of shipping) BV RINA DNV-GL UKCA |
| IK degree of protection | IK04 |
| IP degree of protection | IP20 IEC 60529 |
| Climatic withstand | IACS E10 |
| Ambient Air Temperature for Storage | -40...176 °F (-40...80 °C) |
| Fire resistance | 1760 °F (960 °C) IEC 60695-2-11 |
| Ambient air temperature for operation | -4...140 °F (-20...60 °C) |
| Mechanical robustness | Shocks 30 Gn for 11 ms Vibrations 5 Gn, 5...150 Hz |
| Operating altitude | 6561.68 ft (2000 m) |

Ordering and shipping details

| | |
|-------------------|---------------|
| Category | US10I122367 |
| Discount Schedule | 0111 |
| GTIN | 3389110213539 |
| Returnability | Yes |
| Country of origin | TH |

Packing Units

| | |
|------------------------------|---------------------------|
| Unit Type of Package 1 | PCE |
| Number of Units in Package 1 | 1 |
| Package 1 Height | 3.66 in (9.3 cm) |
| Package 1 Width | 1.81 in (4.6 cm) |
| Package 1 Length | 3.94 in (10 cm) |
| Package 1 Weight | 12.0 oz (339 g) |
| Unit Type of Package 2 | S02 |
| Number of Units in Package 2 | 20 |
| Package 2 Height | 5.91 in (15 cm) |
| Package 2 Width | 11.81 in (30 cm) |
| Package 2 Length | 15.75 in (40 cm) |
| Package 2 Weight | 15.666 lb(US) (7.106 kg) |
| Unit Type of Package 3 | P06 |
| Number of Units in Package 3 | 320 |
| Package 3 Height | 29.53 in (75 cm) |
| Package 3 Width | 23.62 in (60 cm) |
| Package 3 Length | 31.50 in (80 cm) |
| Package 3 Weight | 273.95 lb(US) (124.26 kg) |

Contractual warranty

| | |
|----------|-----------|
| Warranty | 18 months |
|----------|-----------|

Environmental Data

Schneider Electric aims to achieve Net Zero status by 2050 through supply chain partnerships, lower impact materials, and circularity via our ongoing “Use Better, Use Longer, Use Again” campaign to extend product lifetimes and recyclability.

[Environmental Data explained >](#)

[How we assess product sustainability >](#)

Environmental footprint

Carbon footprint (kg CO2 eq, Total Life cycle) 9

Environmental Disclosure [Product Environmental Profile](#)

Use Better

Materials and Substances

Packaging made with recycled cardboard No

Packaging without single use plastic No

China RoHS Regulation [China RoHS declaration](#)

California proposition 65 **WARNING: This product can expose you to chemicals including: Antimony oxide & Antimony trioxide, which is known to the State of California to cause cancer. For more information go to www.P65Warnings.ca.gov**

Use Again

Repack and remanufacture

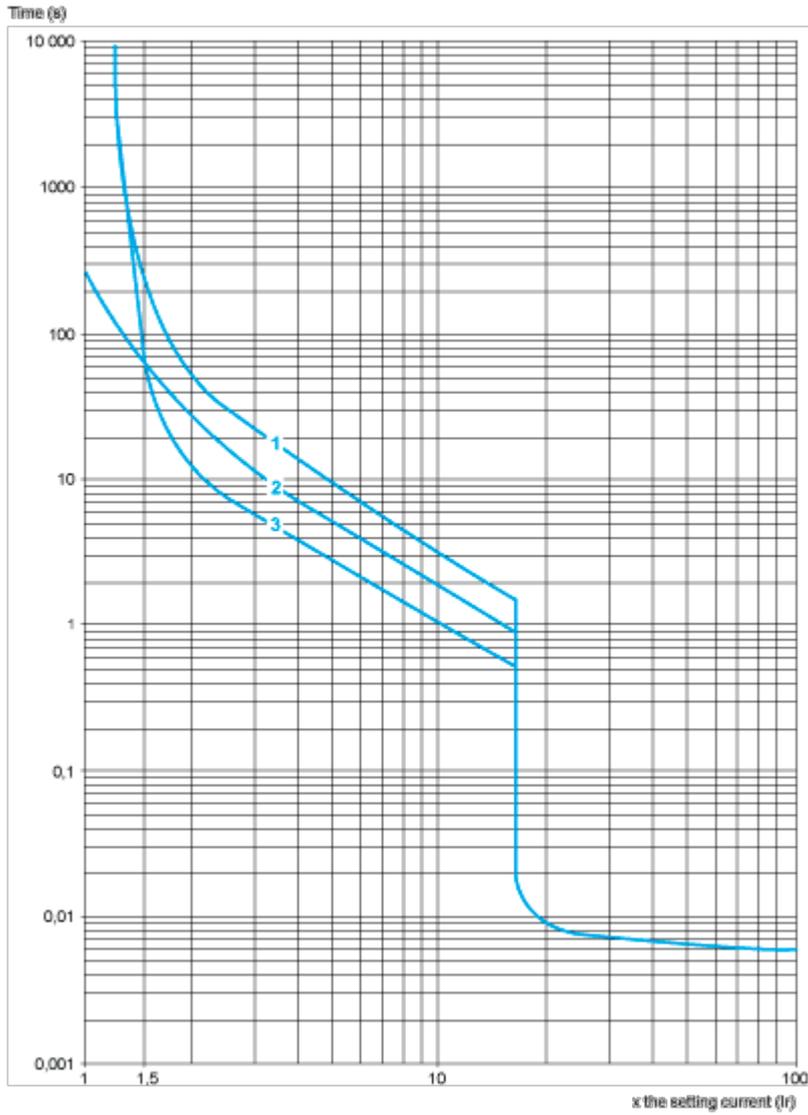
Circularity Profile [End of Life Information](#)

WEEE  The product must be disposed on European Union markets following specific waste collection and never end up in rubbish bins.

Take-back No

Performance Curves

Thermal-Magnetic Tripping Curves for GV2ME and GV2P
 Average Operating Times at 20 °C Related to Multiples of the Setting Current

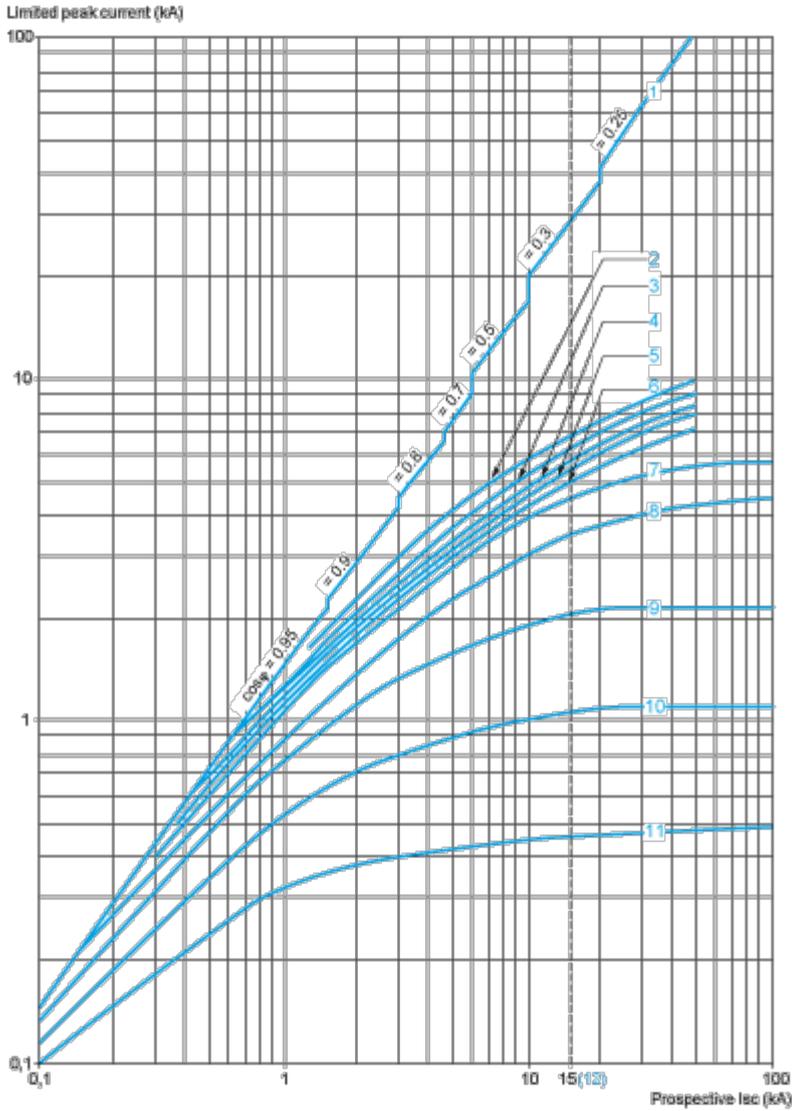


- 1 3 poles from cold state
- 2 2 poles from cold state
- 3 3 poles from hot state

Current Limitation on Short-Circuit for GV2ME and GV2P (3-Phase 400/415 V)

Dynamic Stress

$I_{peak} = f(\text{prospective } I_{sc}) \text{ at } 1.05 U_e = 435 \text{ V}$

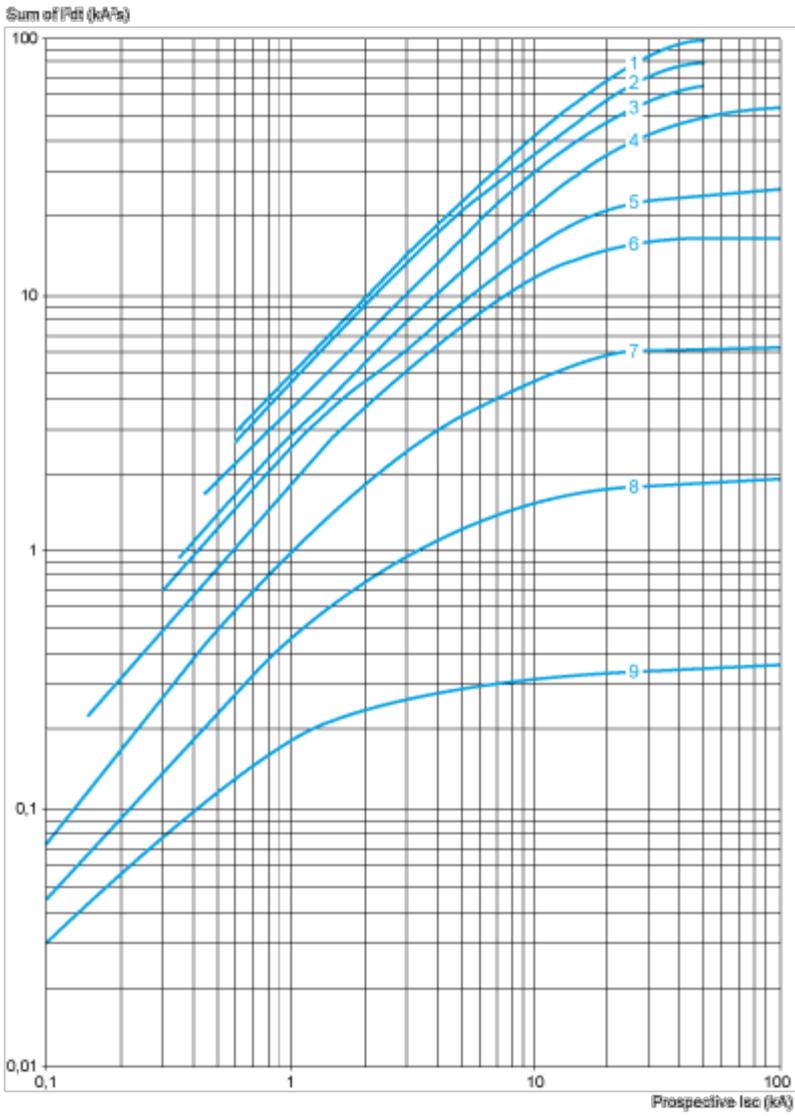


- 1 Maximum peak current
- 2 24-32 A
- 3 20-25 A
- 4 17-23 A
- 5 13-18 A
- 6 9-14 A
- 7 6-10 A
- 8 4-6.3 A
- 9 2.5-4 A
- 10 1.6-2.5 A
- 11 1-1.6 A
- 12 Limit of rated ultimate breaking capacity on short-circuit of GV2ME (14, 18, 23, and 25 A ratings).

Thermal Limit on Short-Circuit for GV2P

Thermal Limit in kA^2s in the Magnetic Operating Zone

Sum of $I^2dt = f$ (prospective Isc) at 1.05 Ue = 435 V

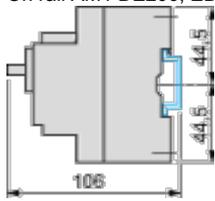


- 1 24-32 A
- 2 20-25 A
- 3 17-23 A
- 4 13-18 A
- 5 9-14 A
- 6 6-10 A
- 7 4-6.3 A
- 8 2.5-4 A
- 9 1.6-2.5 A
- 10 1-1.6 A

Dimensions Drawings

GV2P

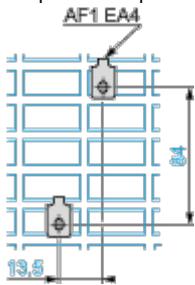
On rail AM1 DE200, ED200 (35 x 15)



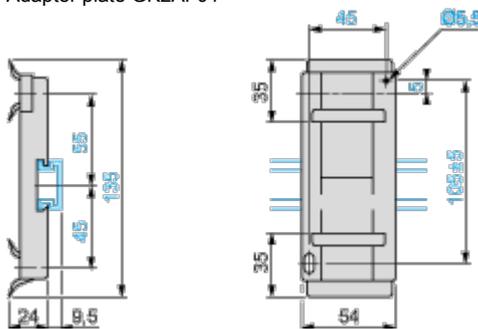
Panel mounted



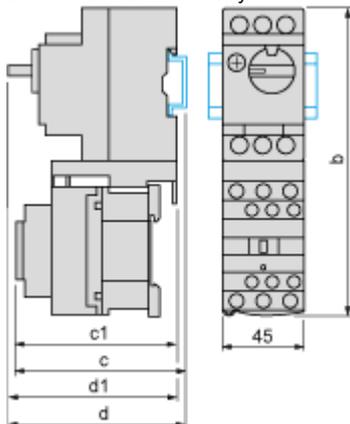
On pre-slotted plate AM1 PA



Adapter plate GK2AF01



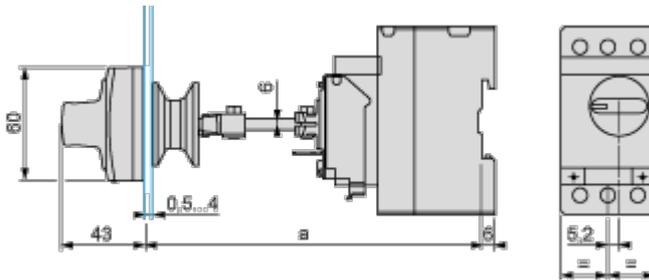
Combination GV2P + TeSys d contactor



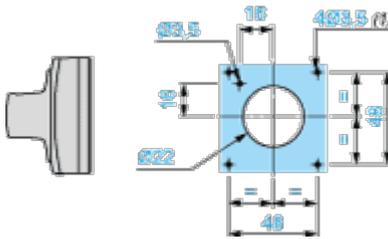
| GV2P + | LC1D09...D18 | LC1D25 and D32 |
|--------|--------------|----------------|
| b | 176.4 | 186.8 |
| c1 | 100.1 | 106.4 |
| c | 105.6 | 111.9 |
| d1 | 95 | 95 |
| d | 100.5 | 100.5 |

Mounting

Mounting of External Operator GV2APN01, GV2APN02 or GV2APN04 for Motor Circuit Breakers GV2P

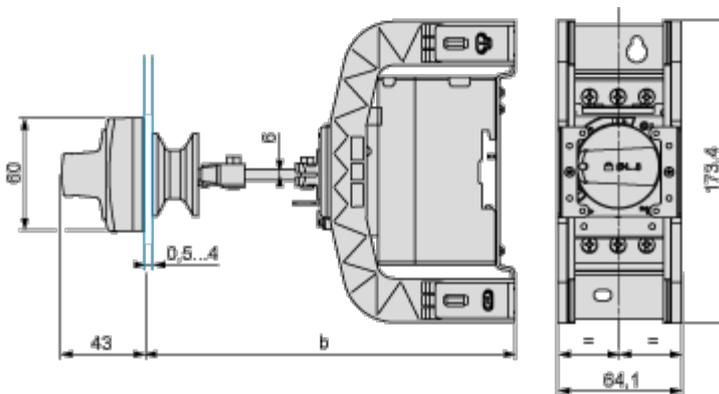


Door cut-out



(1) For IP65 only.

Mounting of External Operator GVAPH02 for Motor Circuit Breakers GV2P



| | a | | b | |
|--------------------------------|---------|---------|---------|---------|
| | Minimum | Maximum | Minimum | Maximum |
| GV2APN _{..} | 140 | 250 | - | - |
| GV2APN _{..} + GVAPH02 | - | - | 151 | 250 |

Connections and Schema

GV2P••

