

# Product datasheet

Specifications



Motor circuit breaker, TeSys GV2, TeSys Deca, 3P, 0.4 to 0.63A, thermal magnetic, screw clamp terminals, rotary handle

GV2P04

## Main

|                           |                       |
|---------------------------|-----------------------|
| Range                     | TeSys Deca            |
| product name              | TeSys GV2             |
| Product or component type | Motor circuit breaker |
| Device short name         | GV2P                  |
| Device application        | Motor protection      |
| Trip unit technology      | Thermal-magnetic      |

## Complementary

|   |   |
|---|---|
| Poles description                                   | 3P  |
| network type  | AC  |
| Utilisation category                                | Category A conforming to IEC 60947-2<br>AC-3 conforming to IEC 60947-4-1<br>AC-3e conforming to IEC 60947-4-1   |
| Network frequency                                   | 50/60 Hz conforming to IEC 60947-4-1  |
| Motor power kW                                      | 0.12 kW at 400/415 V AC 50/60 Hz<br>0.18 kW at 400/415 V AC 50/60 Hz<br>0.37 kW at 690 V AC 50/60 Hz  |
| Breaking capacity                                   | 100 kA Icu at 230/240 V AC 50/60 Hz conforming to IEC 60947-2<br>100 kA Icu at 400/415 V AC 50/60 Hz conforming to IEC 60947-2<br>100 kA Icu at 440 V AC 50/60 Hz conforming to IEC 60947-2<br>100 kA Icu at 500 V AC 50/60 Hz conforming to IEC 60947-2<br>100 kA Icu at 690 V AC 50/60 Hz conforming to IEC 60947-2 |
| [Ics] rated service short-circuit breaking capacity | 100 % at 230/240 V AC 50/60 Hz conforming to IEC 60947-2<br>100 % at 400/415 V AC 50/60 Hz conforming to IEC 60947-2<br>100 % at 440 V AC 50/60 Hz conforming to IEC 60947-2<br>100 % at 500 V AC 50/60 Hz conforming to IEC 60947-2<br>100 % at 690 V AC 50/60 Hz conforming to IEC 60947-2                          |
| Control type  | Rotary handle   |
| [In] rated current                                  | 0.63 A  |
| Thermal protection adjustment range                 | 0.4...0.63 A conforming to IEC 60947-4-1  |
| Magnetic tripping current                           | 9.3 A   |
| [Ith] conventional free air thermal current         | 0.63 A conforming to IEC 60947-4-1  |
| [Ue] rated operational voltage                      | 690 V AC 50/60 Hz conforming to IEC 60947-2   |
| [Ui] rated insulation voltage                       | 690 V AC 50/60 Hz conforming to IEC 60947-2   |
| [Uimp] rated impulse withstand voltage              | 6 kV conforming to IEC 60947-2  |
| Phase failure sensitivity                           | Yes conforming to IEC 60947-4-1   |
| Suitability for isolation                           | Yes conforming to IEC 60947-1   |

|                                   |  |
|-----------------------------------|--|
| <b>Power dissipation per pole</b> | 2.5 W  |
| <b>Mechanical durability</b>      | 100000 cycles  |
| <b>Electrical durability</b>      | 100000 cycles for AC-3 at 415 V In<br>100000 cycles for AC-3e at 415 V In  |
| <b>Rated duty</b>                 | Continuous conforming to IEC 60947-4-1                                     |
| <b>Tightening torque</b>          | 1.7 N.m - on screw clamp terminal  |
| <b>Fixing mode</b>                | 35 mm symmetrical DIN rail: clipped<br>Panel: screwed (with 2 x M4 screws) |
| <b>Mounting position</b>          | Horizontal<br>Vertical   |
| <b>Width</b>                      | 45 mm  |
| <b>Height</b>                     | 89 mm  |
| <b>Depth</b>                      | 97 mm  |
| <b>Colour</b>                     | Dark grey  |

## Environment

|  |  |
|--|--|
| <b>Standards</b>                             | EN/IEC 60947-2<br>EN/IEC 60947-4-1<br>UL 60947-4-1<br>CSA C22.2 No 60947-4-1<br>IEC/EN 60335-2-40:Annex JJ<br>IEC/EN 60335-1:Clause 30.2 |
| <b>Product certifications</b>                | CCC<br>UL<br>CSA<br>EAC<br>ATEX<br>LROS (Lloyds register of shipping)<br>BV<br>RINA<br>DNV-GL<br>UKCA                                    |
| <b>IK degree of protection</b>               | IK04   |
| <b>IP degree of protection</b>               | IP20 conforming to IEC 60529   |
| <b>Climatic withstand</b>                    | conforming to IACS E10   |
| <b>Ambient air temperature for storage</b>   | -40...80 °C  |
| <b>Fire resistance</b>                       | 960 °C conforming to IEC 60695-2-11  |
| <b>Ambient air temperature for operation</b> | -20...60 °C  |
| <b>Mechanical robustness</b>                 | Shocks: 30 Gn for 11 ms<br>Vibrations: 5 Gn, 5...150 Hz  |
| <b>Operating altitude</b>                    | 2000 m   |

## Packing Units

|                                     |           |
|-------------------------------------|-----------|
| <b>Unit Type of Package 1</b>       | PCE       |
| <b>Number of Units in Package 1</b> | 1         |
| <b>Package 1 Height</b>             | 4.600 cm  |
| <b>Package 1 Width</b>              | 9.300 cm  |
| <b>Package 1 Length</b>             | 10.000 cm |
| <b>Package 1 Weight</b>             | 262.000 g |
| <b>Unit Type of Package 2</b>       | S02       |

|                                     |           |
|-------------------------------------|-----------|
| <b>Number of Units in Package 2</b> | 20        |
| <b>Package 2 Height</b>             | 15.000 cm |
| <b>Package 2 Width</b>              | 30.000 cm |
| <b>Package 2 Length</b>             | 40.000 cm |
| <b>Package 2 Weight</b>             | 5.455 kg  |
| <b>Unit Type of Package 3</b>       | P06       |
| <b>Number of Units in Package 3</b> | 320       |
| <b>Package 3 Height</b>             | 75.000 cm |
| <b>Package 3 Width</b>              | 60.000 cm |
| <b>Package 3 Length</b>             | 80.000 cm |
| <b>Package 3 Weight</b>             | 95.280 kg |

## Contractual warranty

|                 |           |
|-----------------|-----------|
| <b>Warranty</b> | 18 months |
|-----------------|-----------|

## Environmental Data

Schneider Electric aims to achieve Net Zero status by 2050 through supply chain partnerships, lower impact materials, and circularity via our ongoing “Use Better, Use Longer, Use Again” campaign to extend product lifetimes and recyclability.

[Environmental Data explained >](#)

[How we assess product sustainability >](#)

### Environmental footprint

Carbon footprint (kg.eq.CO2 per CR, Total Life cycle) 9

Environmental Disclosure [Product Environmental Profile](#)

## Use Better

### Materials and Substances

Packaging made with recycled cardboard No

Packaging without single use plastic No

China RoHS Regulation [China RoHS declaration](#)

## Use Again

### Repack and remanufacture

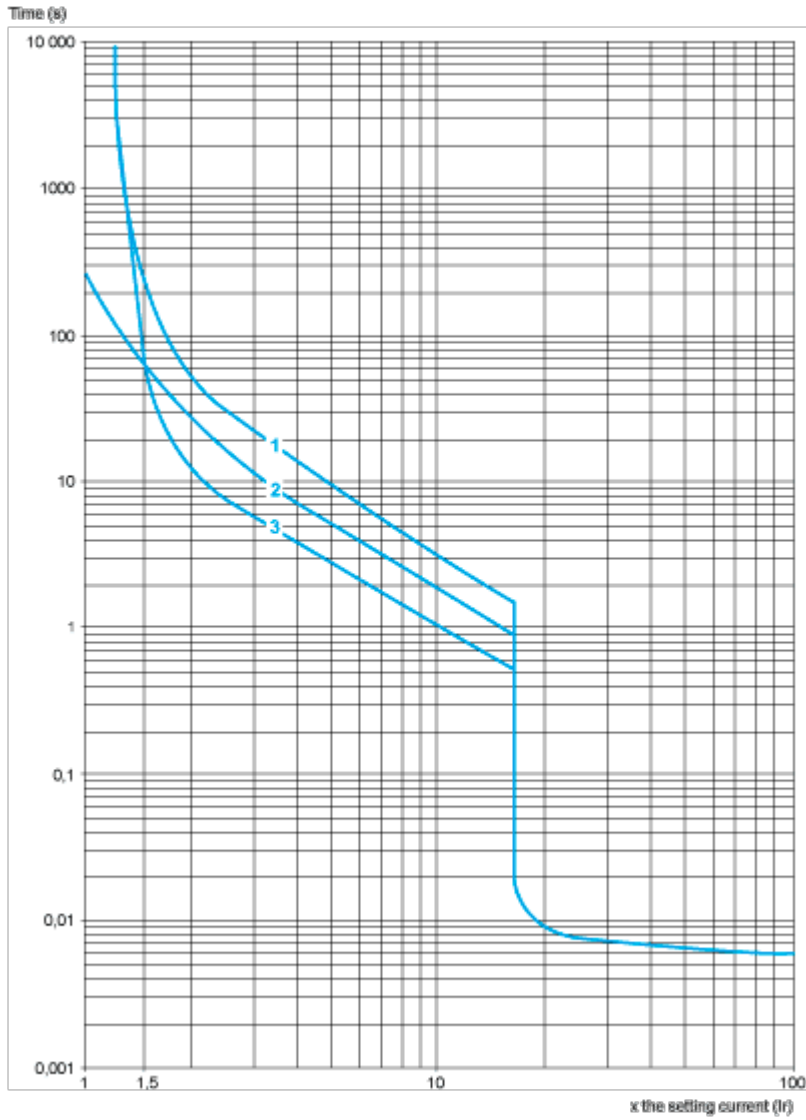
Circularity Profile [End of Life Information](#)

WEEE  The product must be disposed on European Union markets following specific waste collection and never end up in rubbish bins

Take-back No

Performance Curves

**Thermal-Magnetic Tripping Curves for GV2ME and GV2P**  
 Average Operating Times at 20 °C Related to Multiples of the Setting Current

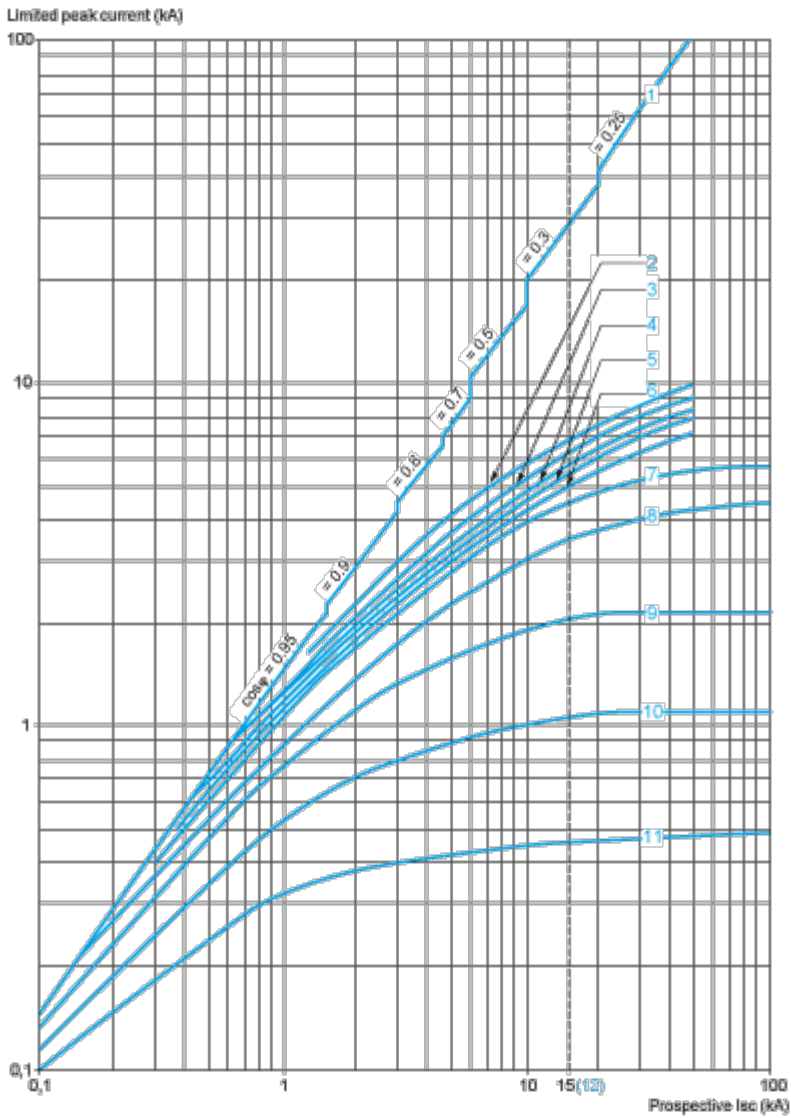


- 1 3 poles from cold state
- 2 2 poles from cold state
- 3 3 poles from hot state

**Current Limitation on Short-Circuit for GV2ME and GV2P (3-Phase 400/415 V)**

**Dynamic Stress**

$I_{peak} = f(\text{prospective } I_{sc}) \text{ at } 1.05 U_e = 435 \text{ V}$

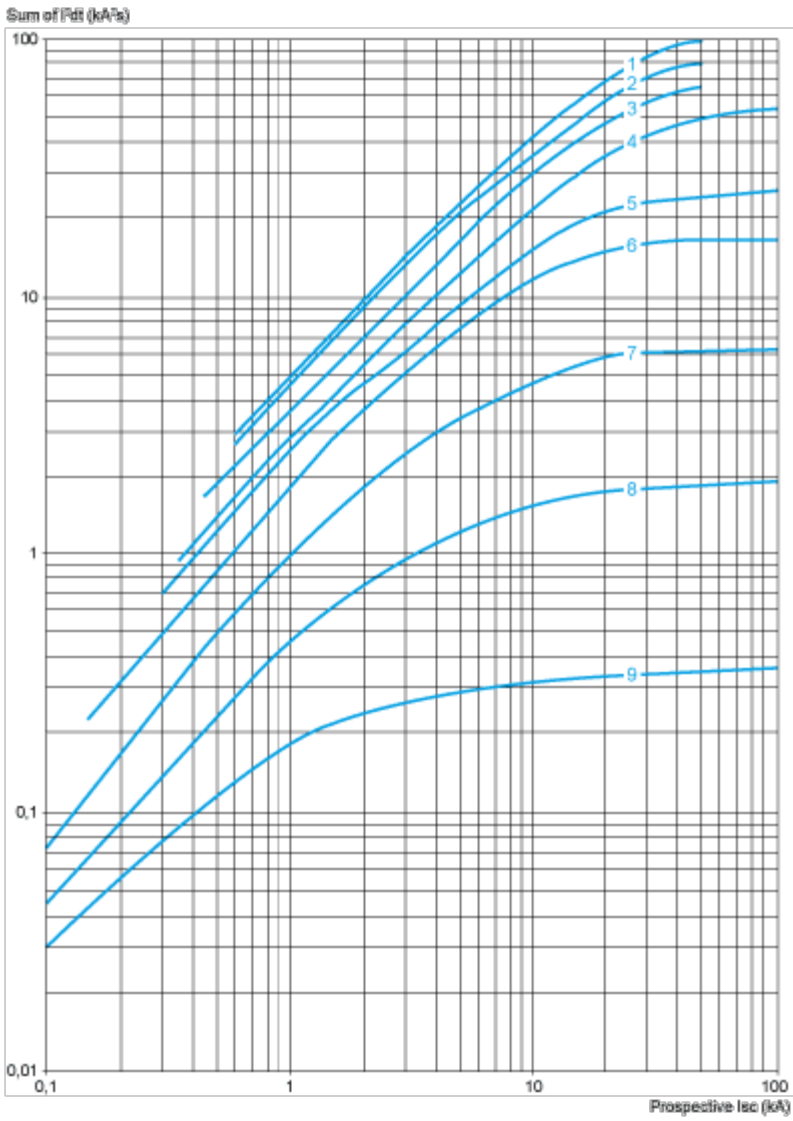


- 1 Maximum peak current
- 2 24-32 A
- 3 20-25 A
- 4 17-23 A
- 5 13-18 A
- 6 9-14 A
- 7 6-10 A
- 8 4-6.3 A
- 9 2.5-4 A
- 10 1.6-2.5 A
- 11 1-1.6 A
- 12 Limit of rated ultimate breaking capacity on short-circuit of GV2ME (14, 18, 23, and 25 A ratings).

**Thermal Limit on Short-Circuit for GV2P**

Thermal Limit in kA<sup>2</sup>s in the Magnetic Operating Zone

Sum of I<sup>2</sup>dt = f (prospective Isc) at 1.05 Ue = 435 V

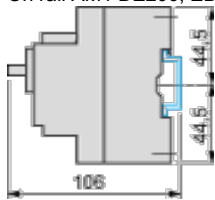


- 1 24-32 A
- 2 20-25 A
- 3 17-23 A
- 4 13-18 A
- 5 9-14 A
- 6 6-10 A
- 7 4-6.3 A
- 8 2.5-4 A
- 9 1.6-2.5 A
- 10 1-1.6 A

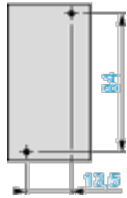
Dimensions Drawings

**GV2P**

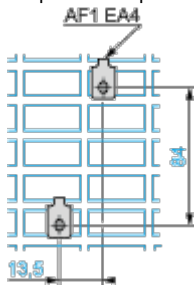
On rail AM1 DE200, ED200 (35 x 15)



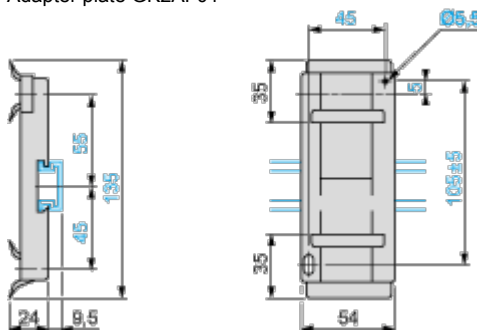
Panel mounted



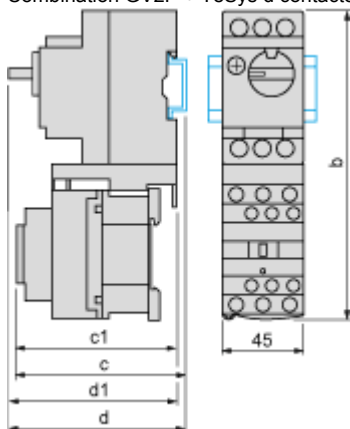
On pre-slotted plate AM1 PA



Adapter plate GK2AF01



Combination GV2P + TeSys d contactor

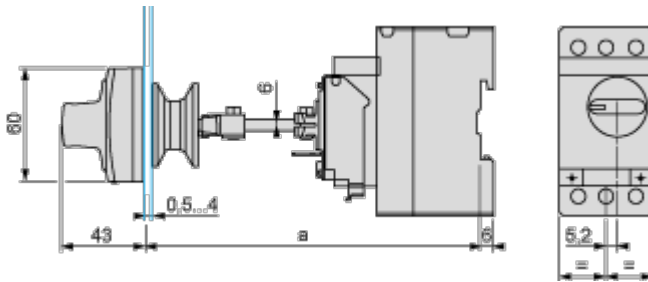




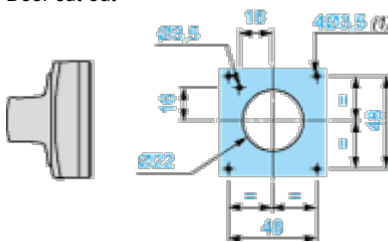
| GV2P + | LC1D09...D18 | LC1D25 and D32 |
|--------|--------------|----------------|
| b      | 176.4        | 186.8          |
| c1     | 100.1        | 106.4          |
| c      | 105.6        | 111.9          |
| d1     | 95           | 95             |
| d      | 100.5        | 100.5          |

**Mounting**

Mounting of External Operator GV2APN01, GV2APN02 or GV2APN04 for Motor Circuit Breakers GV2P

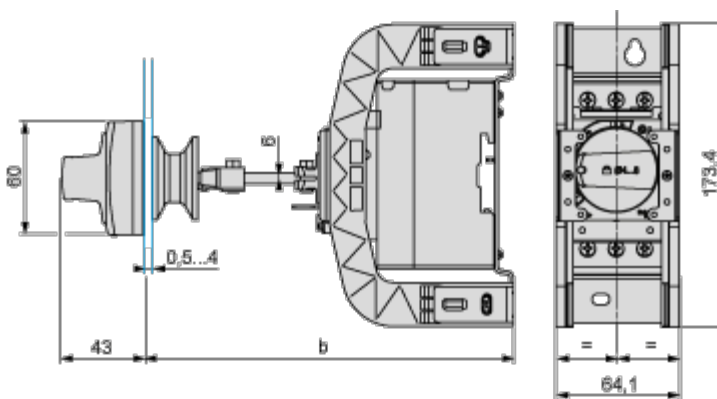


Door cut-out



(1) For IP65 only.

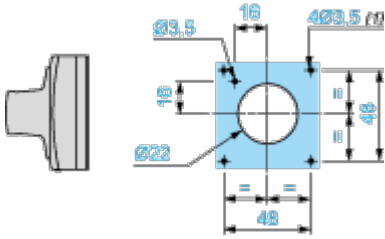
Mounting of External Operator GVAPH02 for Motor Circuit Breakers GV2P



|                                | a       |         | b       |         |
|--------------------------------|---------|---------|---------|---------|
|                                | Minimum | Maximum | Minimum | Maximum |
| GV2APN <sub>..</sub>           | 140     | 250     | -       | -       |
| GV2APN <sub>..</sub> + GVAPH02 | -       | -       | 151     | 250     |

|                              | a       |         | b       |         |
|------------------------------|---------|---------|---------|---------|
|                              | Minimum | Maximum | Minimum | Maximum |
| GV2APN.. + GVAPK11           | 250     | 434     | -       | -       |
| GV2APN.. + GVAPH02 + GVAPK11 | -       | -       | 250     | 445     |

Door cut-out



(1) For IP65 only.

Connections and Schema

---

GV2P••

